

CLICK PLC Overview

CPU Modules

The eleven CLICK CPU modules are available with different combinations of built-in I/O types.



Basic CPU

CLICK Basic CPU Modules			
Part Number	Inputs (8 points)	Outputs (6 points)	Price
<i>CO-00DD1-D</i>	DC (24 VDC, sink/source)	DC (0.1 A, 5-24 VDC, Sink)	<--->
<i>CO-00DD2-D</i>		DC (0.1 A, 24 VDC, Source)	<--->
<i>CO-00DR-D</i>		Relay (1 A@6-27 VDC/6-240 VAC)	<--->
<i>CO-00AR-D</i>	AC (100-120 VAC)		<--->

Basic CPU Module Features:

- Eight discrete input points
- Six discrete output points
- Two RS-232 communications ports



Standard CPU

CLICK Standard CPU Modules			
Part Number	Inputs (8 points)	Outputs (6 points)	Price
<i>CO-01DD1-D</i>	DC (24 VDC, sink/source)	DC (0.1 A, 5-24 VDC, Sink)	<--->
<i>CO-01DD2-D</i>		DC (0.1 A, 24 VDC, Source)	<--->
<i>CO-01DR-D</i>		Relay (1 A@6-27 VDC/6-240 VAC)	<--->
<i>CO-01AR-D</i>	AC (100-120 VAC)		<--->

Standard CPU Module Features:

- Eight discrete input points
- Six discrete output points
- Two RS-232 communications ports
- One RS-485 communications port
- Backup battery (Battery sold separately)



Analog CPU

CLICK Analog CPU Modules				
Part Number	Inputs (4 points)	Outputs (4 points)	Analog Inputs, Outputs	Price
<i>CO-02DD1-D</i>	DC (24 VDC, sink/source)	DC (0.1 A, 5-24 VDC, Sink)	2 channels in / 2 channels out; voltage (0-5 VDC) and current (4-20 mA) selectable	<--->
<i>CO-02DD2-D</i>		DC (0.1 A, 24 VDC, Source)		<--->
<i>CO-02DR-D</i>		Relay (1 A@6-27 VDC/6-240 VAC)		<--->

Analog CPU Module Features:

- Four discrete input points and four discrete output points
- Two analog input points and two analog output points
- Two RS-232 communications ports
- One RS-485 communications port
- Backup battery (Battery sold separately)

CLICK PLC Overview

Input I/O Modules

There are six input I/O modules available.



CO-08ND3



CO-08ND3-1



CO-16ND3



CO-08NE3



CO-16NE3



CO-08NA

Output I/O Modules

There are seven output I/O modules available.



CO-08TD1



CO-08TD2



CO-16TD1



CO-16TD2



CO-08TA



CO-04TRS



CO-08TR

Power Supplies

Two power supplies are offered.



CO-00AC



CO-01AC

CLICK Input I/O Modules

Part Number	Inputs	Price
CO-08ND3	DC (8 pts, 12-27 VDC)	<--->
CO-08ND3-1	DC (8 pts, 3.3-5 VDC)	<--->
CO-16ND3	DC (16 pts, 24 VDC)	<--->
CO-08NE3	AC/DC (8 pts, 24 VAC/VDC)	<--->
CO-16NE3	AC/DC (16 pts, 24 VAC/VDC)	<--->
CO-08NA	AC (8 pts, 100-120 VAC)	<--->

CLICK Output I/O Modules

Part Number	Outputs	Price
CO-08TD1	DC (8 pts, 0.3 A @ 3.3-27 VDC, Sink)	<--->
CO-08TD2	DC (8 pts, 0.3 A @ 12-24 VDC, Source)	<--->
CO-16TD1	DC (16 pts, 0.1 A @ 5-27 VDC, Sink)	<--->
CO-16TD2	DC (16 pts, 0.1 A @ 12-24 VDC, Source)	<--->
CO-08TA	AC (8 pts, 0.3A @ 17-240 VAC)	<--->
CO-04TRS*	Relay (4 pts, 7A @ 6-27 VDC/6-240 VAC)	<--->
CO-08TR	Relay (8 pts, 1A @ 6-27 VDC/6-240 VAC)	<--->

* To drive more than a 7A load or to use replaceable relays, consider using a CO-16TD1 output module with a ZL-RRL16-24 ZIPLink relay module and the correct ZIPLink cable (see Wiring System for CLICK PLCs later in this section).

CLICK Power Supplies

Part Number	Input Voltage	Output Current	Price
CO-00AC	85-264 VAC	0.5A @ 24 VDC	<--->
CO-01AC	85-264 VAC	1.3A @ 24 VDC	<--->

CLICK PLC Overview

What you'll need

Of course, what you'll need for your system depends on your particular application, but this overview shows you what you'll need for a simple system.

1. Select your CLICK CPU module.



2. If you need additional I/O, select from thirteen types of I/O modules.



3. Select a 24 VDC power supply.



or

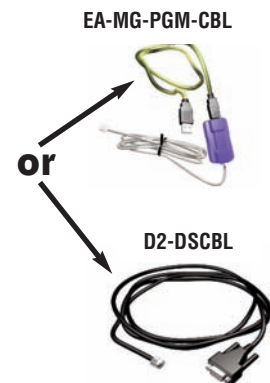


4. Download the FREE CLICK programming software.



5. Select your PC-to-PLC programming cable.

If your PC has a USB port, use cable EA-MG-PGM-CBL to connect to the CPU module port. If your PC has a 9-pin serial communications port, use programming cable D2-DSCBL.



6. Select tools, wire, and provide power.

Screwdriver
DN-SS1



Wire Strippers
DN-WS



Hookup Wire



(PC requires RS-232 port to use this cable)

CLICK Programming Software

FREE Software!

CLICK programming software can be downloaded at no charge.

The CLICK programming software is designed to be a user-friendly application, and the tools, layout, and software interaction provide ease-of-use and quick learning.

The simple operation of this software allows users to quickly develop a ladder logic program. The online help file provides information that will help you get acquainted with the software quickly.

PC Requirements

CLICK PLC Windows-based programming software works with Windows® 2000 Service Pack 4, XP Home or Professional, Vista (32 bit only) or Windows 7 (32 bit only). These are the minimum system requirements:

- Personal Computer with a 333 MHz or higher processor (CPU) clock speed recommended; Intel Pentium/Celeron family or AMD K6/Athlon/Duron family, or compatible processor recommended
- SVGA 800x600 pixels resolution. (1024x768 pixels resolution recommended)
- 150MB free hard-disk space
- 128MB free Ram (512MB recommended)
- CD-ROM or DVD drive for installing software from the CD
- 9-pin serial port or USB port for project transfer to PLC (USB port communications also requires USB-to-serial converter)

C0-PGMSW FREE

CLICK PLC Programming Software

Free download available from the Web includes the manual in pdf format. Cable sold separately.

Windows2000/XP(Home/Pro)/Vista/Windows 7 required.

The CLICK Programming Software can be downloaded free at the [AutomationDirect](http://www.automationdirect.com) Web site:

www.support.automationdirect.com/downloads.html



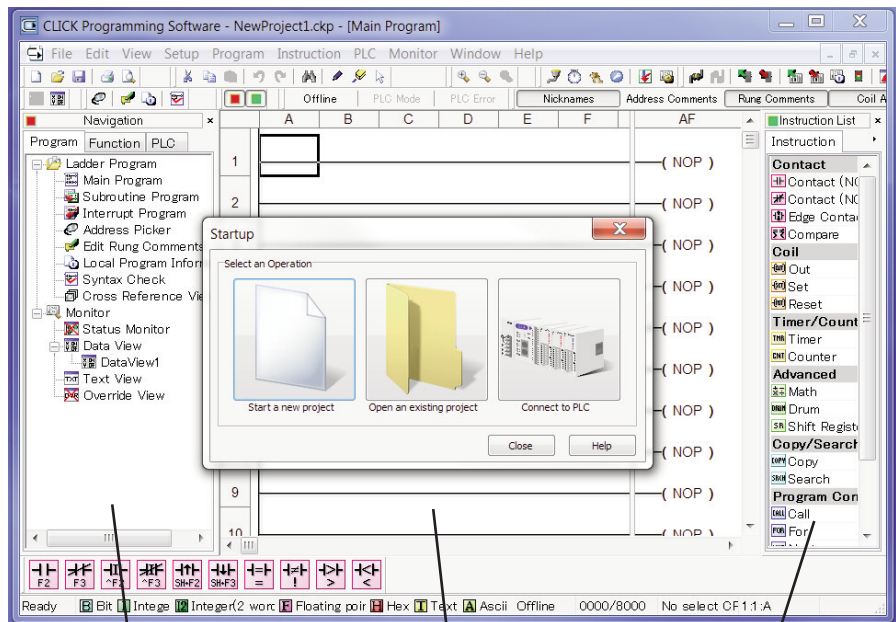
NOTE: CLICK PLCs cannot be programmed using *DirectSOFT5* programming software, which is used to program our *DirectLOGIC* PLCs; you must use the CLICK programming software, C0-PGMSW.



NOTE: When using Standard CPUs, you must use CLICK programming software version V1.20 or later.
When using Analog CPUs, you must use CLICK programming software version V1.12 or later.

Main window

The Main Window is displayed when the program opens. It is divided into Menus, Toolbars, and Windows that work together to make project development as simple as possible.



Navigation Window

Ladder Edit Window

Instruction List Window

CLICK Programming Software

Instructions

The easy-to-use instructions are described in the CLICK programming software online help file.

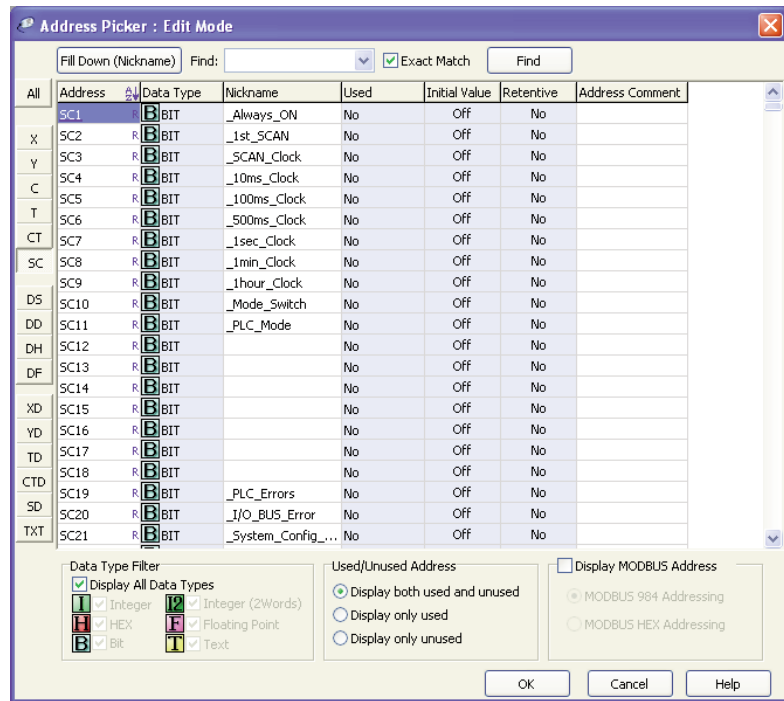
Powerful Features!

CLICK programming software has amazingly powerful features for a free software product, such as

- Address picker
- Separate subroutine programs
- Separate interrupt programs
- Color rung comment feature
- Project loader
- Documentation is stored within the PLC memory

Address Picker

The Address Picker is a powerful multi-function memory table which can be used to assign nicknames, create address comments, and establish initial values for specific memory locations. It can assign specific memory locations to be retentive during power outages. The Address Picker also has powerful tools for sorting the memory table and making it easier to use.

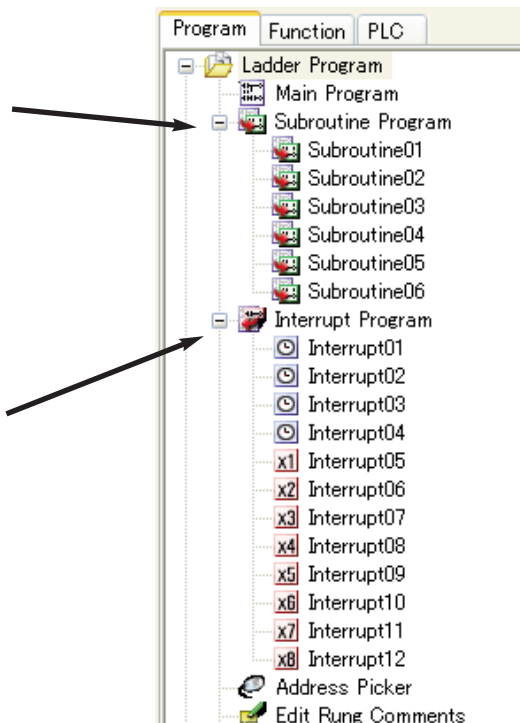


Subroutine Programs

Subroutine programs can be created and named to isolate a body of program code that is run selectively. You can run up to 986 subroutine programs.

Interrupt Programs

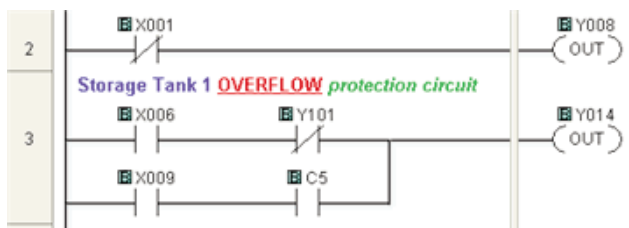
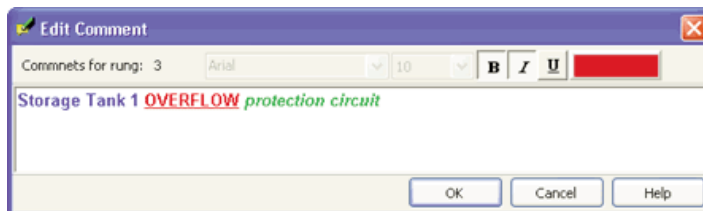
Interrupt programs are created and named. The Basic and Standard CPU modules support up to 12 interrupt programs. The Analog CPU modules support up to 8 interrupt programs.



CLICK Programming Software

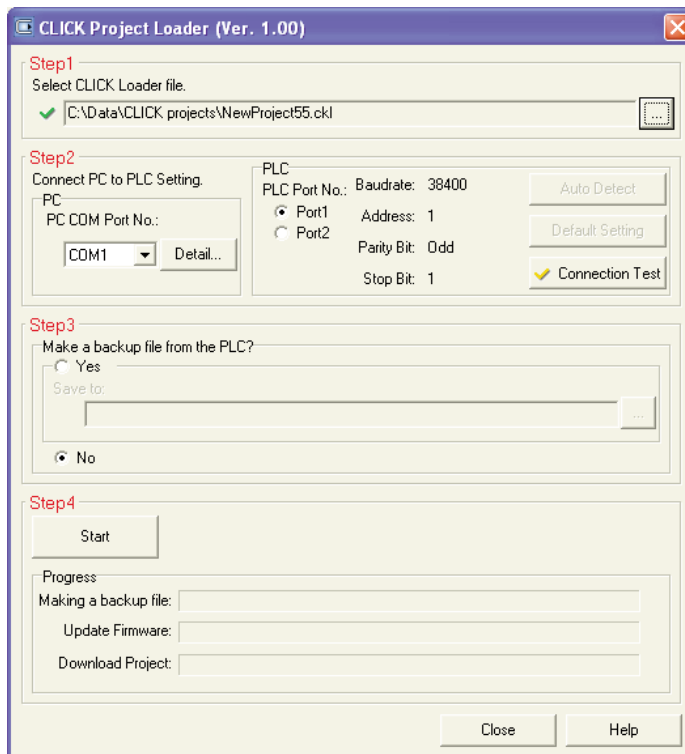
Color Rung Comment

Easily create and edit rung comments with colors and three text styles. Comments are stored in the PLC memory for future reference.



Project Loader

The CLICK programming software can export the CLICK project in an encrypted format. The exported file can be sent to the end user. Then the end user can download the file into the CLICK PLC with the tool called Project Loader.



NOTE: PROJECT LOADER IS A SEPARATE PROGRAM FROM THE CLICK PROGRAMMING SOFTWARE, BUT IT IS INSTALLED ON THE PC WHEN THE CLICK PROGRAMMING SOFTWARE IS INSTALLED.

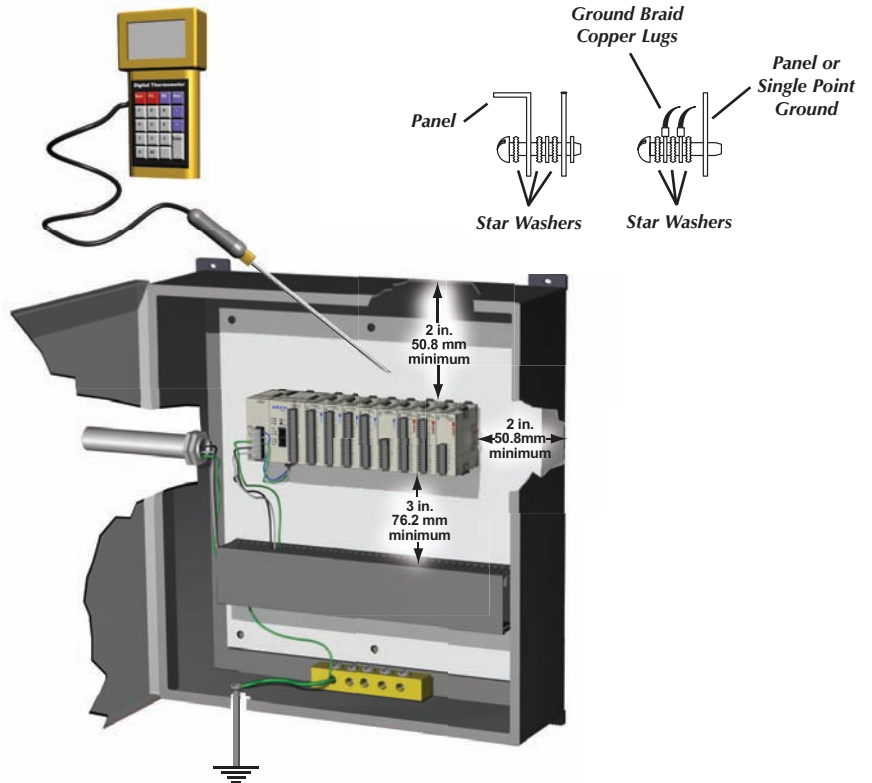
Product Dimensions and Installation

It is important to understand the installation requirements for your CLICK system. Your knowledge of these requirements will help ensure that your system operates within its environmental and electrical limits.

Plan for Safety

This catalog should never be used as a replacement for the user manual.

You can purchase, download free, or view online the user manuals for these products. Manual C0-USER-M is the user manual for the CLICK PLC. This user manual contains important safety information that must be followed. The system installation should comply with all appropriate electrical codes and standards.

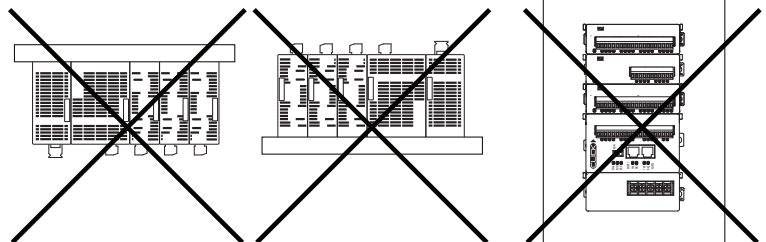
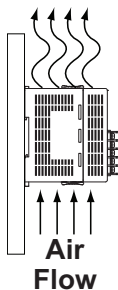


NOTE: THERE IS A MINIMUM CLEARANCE REQUIREMENT OF 2 INCHES (51 MM) BETWEEN THE CLICK PLC AND THE PANEL DOOR OR ANY DEVICES MOUNTED IN THE PANEL DOOR. THE SAME CLEARANCE IS REQUIRED BETWEEN THE PLC AND ANY SIDE OF THE ENCLOSURE. A MINIMUM CLEARANCE OF 3 INCHES (76 MM) IS REQUIRED BETWEEN THE PLC AND A WIREWAY OR ANY HEAT PRODUCING DEVICE.



Mounting Orientation

CLICK PLCs must be mounted properly to ensure ample airflow for cooling purposes. It is important to follow the unit orientation requirements and to verify that the PLC's dimensions are compatible with your application. Notice particularly the grounding requirements and the recommended cabinet clearances.

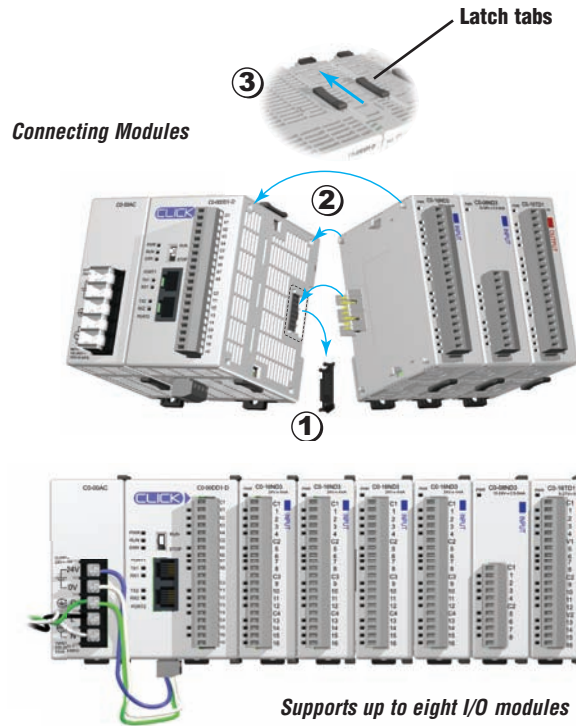


Product Dimensions and Installation

Connecting the Modules Together

CLICK CPUs, I/O modules and power supplies connect together using the extension ports that are located on the side panels of the modules (no PLC backplane/base required).

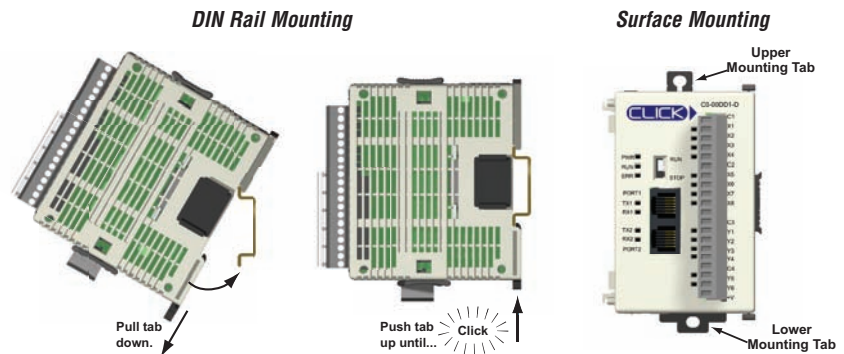
1. Remove extension port covers and slide the latch tabs forward.
2. Align the module pins and connection plug, and press the I/O module onto the right side of the CPU.
3. Slide the latch tabs backward to lock the modules together.



Mounting

The CLICK PLC system, which includes the CLICK power supplies, CPU modules, and I/O modules, can be mounted in one of two ways.

1. DIN rail mounted
2. Surface mounted using the built-in upper and lower mounting tabs.



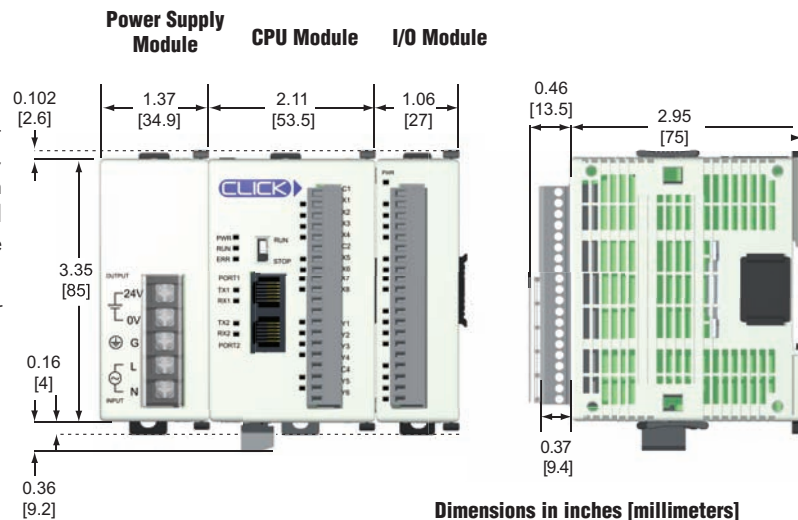
Unit Dimensions

These diagrams show the outside dimensions of the CLICK power supply, CPU, and I/O modules. The CLICK PLC system is designed to be mounted on standard 35mm DIN rail, or it can be surface mounted.

Allow proper spacing from other components within an enclosure.

Maximum system:

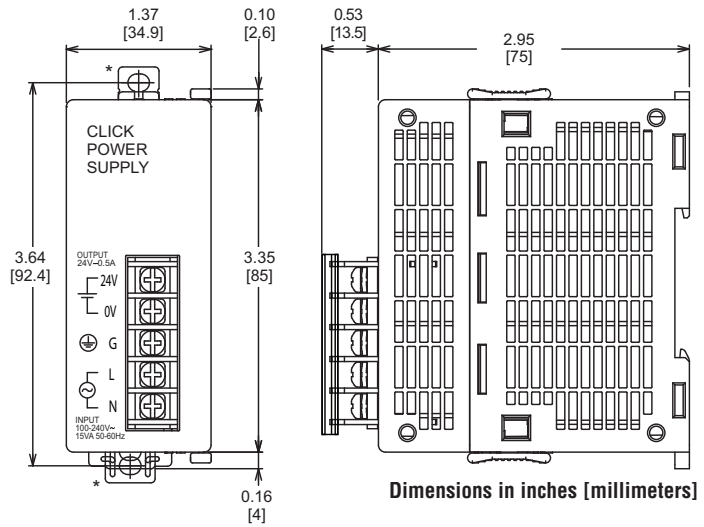
Power Supply + CPU + 8 I/O modules.



Product Dimensions and Installation

Unit Dimensions

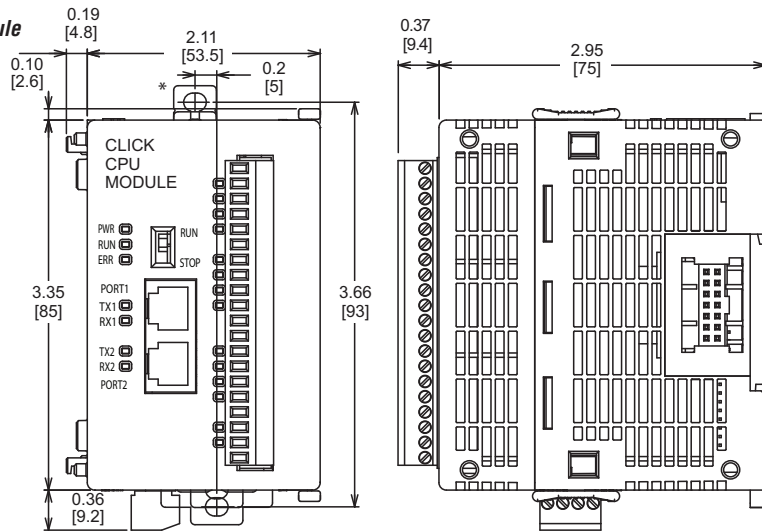
Power Supply



Dimensions in inches [millimeters]

* Use size M4 screws for top and bottom mounting tab holes.

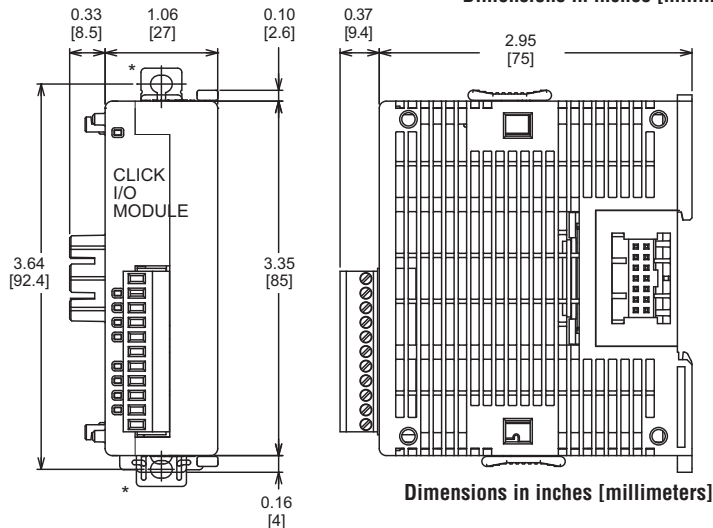
CPU Module



Dimensions in inches [millimeters]

* Use size M4 screws for top and bottom mounting tab holes.

I/O Module



Dimensions in inches [millimeters]

* Use size M4 screws for top and bottom mounting tab holes.

Networking the CLICK PLC

Built-in Communications Ports

All CPUs have two built-in RS-232 communications ports. Standard and Analog CPUs also have one built-in RS-485 communications port. One RS-232 port supports the Modbus RTU protocol only and can be used as the programming port. The other ports support either Modbus RTU or ASCII protocol. Both RS-232 ports supply 5 VDC, so you can connect a monochrome C-more Micro HMI panel without an additional power supply.

LED Status Indicators

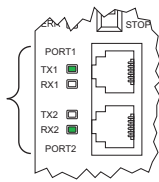
There are LED indicators located to the left of each communication port to indicate when the port is transmitting or receiving.

Basic CPUs

Port 1 & 2 LED Status Indicators

TX1 and TX2 (Green)	
On	The Comm Port is sending data.
Off	The Comm Port is not sending data.

RX1 and RX2 (Green)	
On	The Comm Port is receiving data.
Off	The Comm Port is not receiving data.

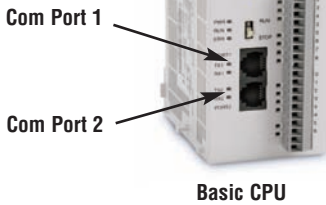
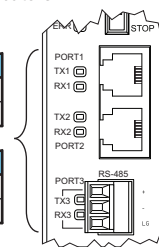


Standard and Analog CPUs

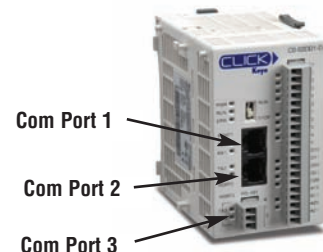
Port 1, 2, & 3 LED Status Indicators

TX1, TX2 and TX3 (Green)	
On	The Comm Port is sending data.
Off	The Comm Port is not sending data.

RX1, RX2 and RX3 (Green)	
On	The Comm Port is receiving data.
Off	The Comm Port is not receiving data.



Basic CPU



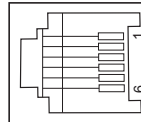
Standard and Analog CPUs

Com Port 1 Specifications

Use: Programming Port
Physical: 6 pin, RJ12, RS-232
Communication speed (baud): 38400 (fixed)
Parity: Odd
Station Address: 1
Data length: 8 bits
Stop bit: 1
Protocol: Modbus RTU (slave only)

Port 1

6 pin RJ12 Phone Type Jack



Port 1 Pin Descriptions

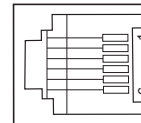
1	0V	Power (-) connection (GND)
2	5V	Power (+) connection
3	RXD	Receive data (RS-232)
4	TXD	Transmit data (RS-232)
5	NC	No connection
6	0V	Power (-) connection (GND)

Com Port 2 Specifications

Use: Serial Communication
Physical: 6 pin, RJ12, RS-232
Communication speed (baud): 1200, 2400, 4800, 9600, 19200, 38400, 57600, 115200
Parity: odd, even, none
Station Address: 1 to 247
Data length: 8 bits (Modbus RTU) or 7, 8 bits (ASCII)
Stop bit: 1,2
Protocol: Modbus RTU (master/slave) or ASCII in/out

Port 2

6 pin RJ12 Phone Type Jack



Port 2 Pin Descriptions

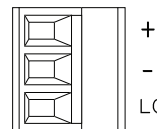
1	0V	Power (-) connection (GND)
2	5V	Power (+) connection
3	RXD	Receive data (RS-232)
4	TXD	Transmit data (RS-232)
5	RTS	Request to send
6	0V	Power (-) connection (GND)

Com Port 3 Specifications

Use: Serial Communication
Physical: 3 pin, RS-485
Communication speed (baud): 1200, 2400, 4800, 9600, 19200, 38400, 57600, 115200
Parity: odd, even, none
Station Address: 1 to 247
Data length: 8 bits (Modbus RTU) or 7, 8 bits (ASCII)
Stop bit: 1,2
Protocol: Modbus RTU (master/slave) or ASCII in/out

Port 3

RS-485

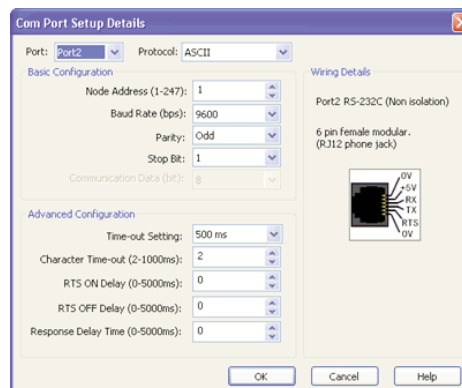


Port 3 Pin Descriptions

1	+ (plus)	Signal A (RS-485)
2	- (minus)	Signal B (RS-485)
3	LG	Logic Ground(0 V)

Port Setup

Use CLICK programming software to easily configure the communication ports.

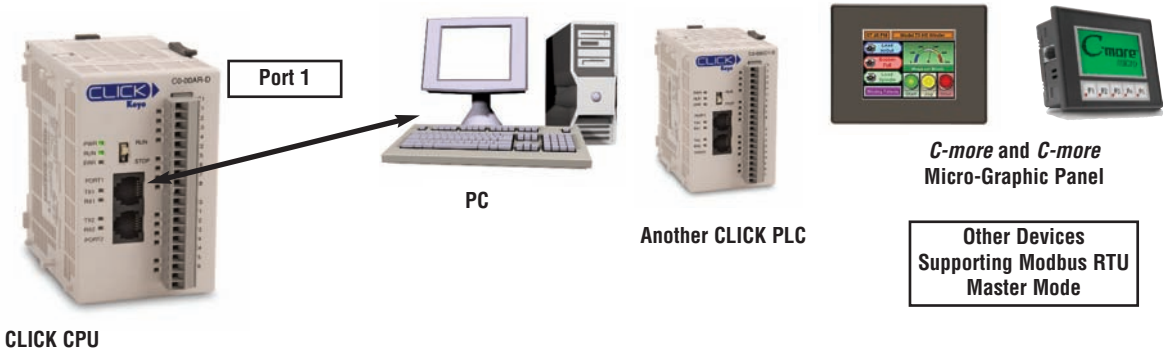


Networking the CLICK PLC

Typical Serial Communication Applications

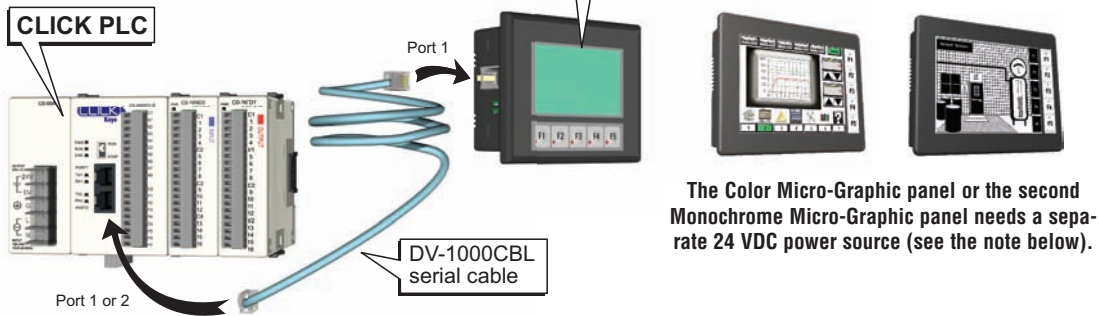
The diagrams on these two pages illustrate the typical uses for the CLICK CPU's communication ports.

Port 1 (RS-232) – Modbus RTU Slave Mode Only



C-more Micro-Graphic panels (monochrome models only) can get 5 VDC power from Com port 1 or 2.

Example



NOTE: CLICK'S PORT 1 AND PORT 2 CAN PROVIDE 5 VDC TO POWER THE PANEL, BUT NOT AT THE SAME TIME. IF A C-MORE MICRO-GRAPHIC PANEL IS CONNECTED TO BOTH PORTS, THEN AT LEAST ONE OF THE PANELS MUST BE POWERED BY A C-MORE MICRO DC POWER ADAPTER, EA-MG-P1 OR EA-MG-SPI, OR ANOTHER 24 VDC POWER SOURCE. COLOR C-MORE MICRO-GRAPHIC PANELS MUST ALSO BE POWERED FROM A SEPARATE 24 VDC SOURCE.

Do not use the following *DirectLOGIC* devices with CLICK's Port 1 or 2:



WARNING: The following *DirectLOGIC* PLC devices cannot be used with a CLICK CPU's Port 1 or Port 2:
 Handheld Programmer for DL05, DL06, DL105, DL205 & D3-350 CPUs, p/n D2-HPP
 Handheld Programmer for DL405 CPUs, p/n D4-HPP-1
 Timer/Counter Access for DL05, DL06, DL105, DL205, DL405 & D3-350 CPUs, p/n DV-1000



D2-HPP



D4-HPP-1



DV-1000

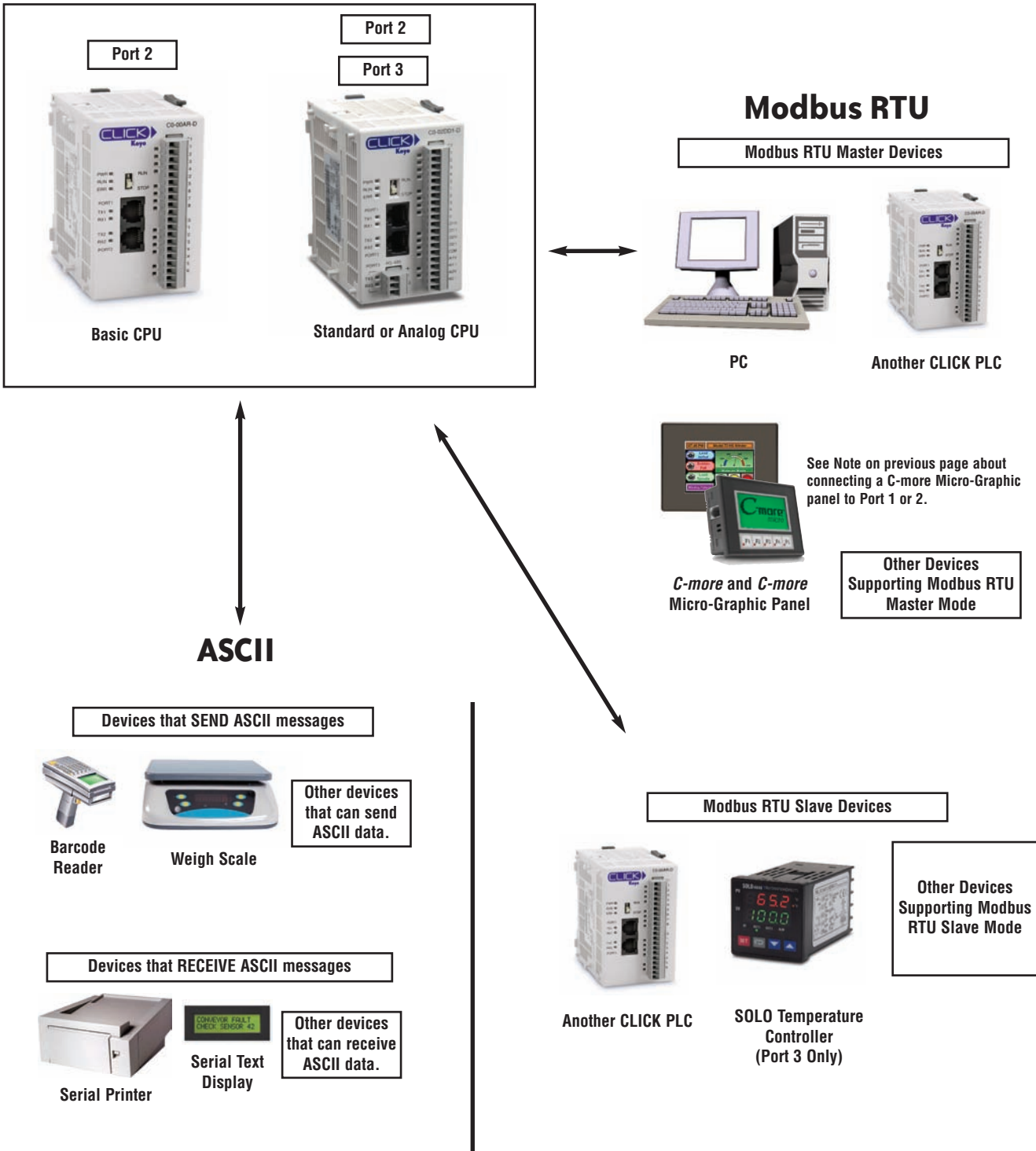
Networking the CLICK PLC

Port 2 (RS-232) – Modbus RTU or ASCII

Port 3 (RS-485; Standard and Analog CPUs Only) – Modbus RTU or ASCII

All CPUs have RS-232 port 2, but only Standard and Analog CPUs have RS-485 port 3.

Ports 2 and 3 allow networking to similar devices.



Power Supplies

Power Supplies

The CLICK PLC family offers two 24 VDC power supplies. They are identical except for the output current.

It is not mandatory to use one of these CLICK power supplies for the CLICK PLC system. You can use any other 24 VDC power supply that Automationdirect.com offers.

CO-00AC Power Supply

Limited auxiliary AC power supply allows you to power the 24 VDC CLICK C0 series CPUs with 100-240 VAC supply power. The 0.5A DC power supply is capable of controlling the CPU plus a limited configuration based on the power budget of each I/O module. The CO-00AC is a low-cost solution for applications requiring only minimal I/O and power consumption. This power supply will not support a fully-populated CLICK PLC system with all possible I/O module combinations.

CO-01AC Power Supply

Expanded auxiliary AC power supply allows you to power the 24 VDC CLICK C0 series CPUs with 100-240 VAC supply power. The 1.3A DC power supply is capable of supporting a fully-populated CLICK PLC system with all possible I/O module combinations, with no concerns for exceeding the power budget.

CLICK 24 VDC Power Supply Ratings	
Part Number	Output Current
CO-00AC	0.5 A
CO-01AC	1.3 A

CO-00AC Power Supply Specifications	
Input Voltage Range	85-264 VAC
Input Frequency	47-63 Hz.
Input Current (typical)	0.3 A @ 100 VAC, 0.2 A @ 200 VAC
Inrush Current	30 A
Output Voltage Range	23-25 VDC
Output Current	0.5 A
Over Current Protection	@ 0.65 A (automatic recovery)
Weight	5.3 oz (150g)

CO-01AC Power Supply Specification	
Input Voltage Range	85-264 VAC
Input Frequency	47-63 Hz.
Input Current (typical)	0.9 A @ 100 VAC, 0.6 A @ 200 VAC
Inrush Current	30 A
Output Voltage Range	23-25 VDC
Output Current	1.3 A
Over Current Protection	@ 1.6 A (automatic recovery)
Weight	6.0 oz (170g)



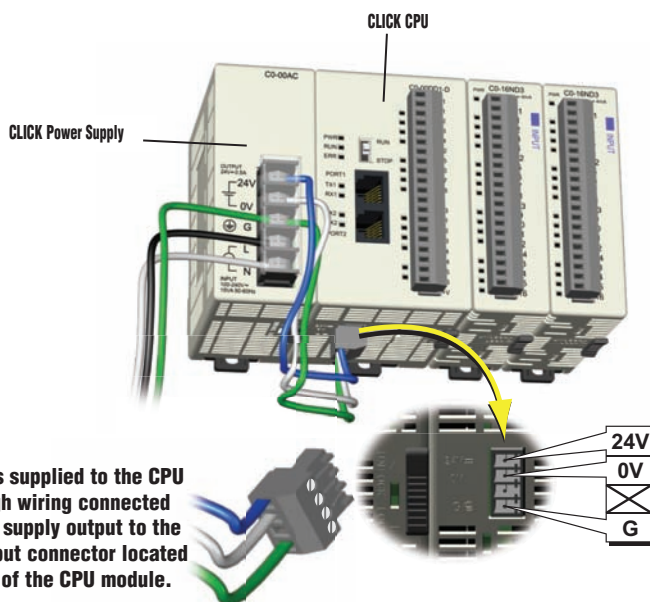
24 VDC Output Power Terminals (for CLICK PLC, I/O or field device, etc.)

85-264 VAC Power Source Input Terminals



24 VDC Output Power Terminals (for CLICK PLC, I/O or field device, etc.)

85-264 VAC Power Source Input Terminals



24 VDC power is supplied to the CPU module through wiring connected from the power supply output to the 4-pin 24 VDC input connector located on the bottom of the CPU module.

Power Budgeting

Power Budgeting

There are two areas to be considered when determining the power required to operate a CLICK PLC system. The first area is the power required by the CLICK CPU, along with the internal logic side power that the CPU provides to its own I/O and any connected I/O modules that are powered through the CPU's expansion port; plus any device, such as a C-more Micro-Graphic panel, that is powered through one of the CPU's communication ports.

The second area is the power required by all externally connected I/O devices. This should be viewed as the field side power required. The field side power is dependent on the voltage used for a particular input or output device as it relates to the wired I/O point, and the calculated load rating of the connected device.

It is strongly recommended that the power source for the logic side be separate from the power source for the field side to help eliminate possible electrical noise.

Power budgeting requires the calculation of the total current that the 24 VDC power source needs to provide to CLICK's logic side, and also a separate calculation of the total current required for all devices operating from the field side of the PLC system.

See the Power Budgeting Example shown to the right. The table shows current requirements for a CLICK CPU, two I/O modules, and a C-more Micro. Use the total amperage values to select a proper sized power supply.

Power Budgeting Using the CLICK Programming Software

The following example shows the logic side current consumption as calculated in the CLICK Programming software. Based on the amperage rating of the power supply selected in the first column, your power budget is calculated by subtracting each consecutive module's power consumption from the total available power budget. If you exceed the maximum allowable power consumption the power budget row is highlighted in red.

Power budget row turns red if maximum allowable power consumption is exceeded for the power supply selected.



CLICK 24 VDC Power Supply
CO-00AC or CO-01AC



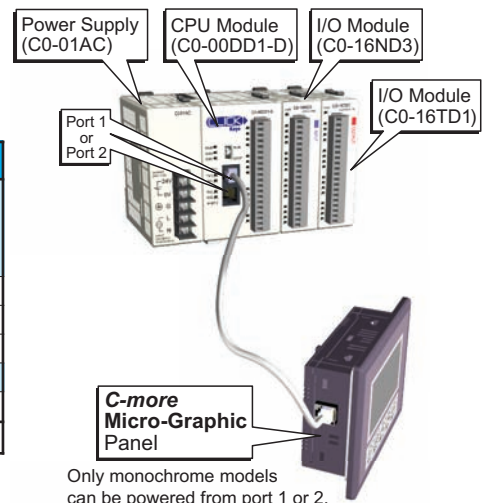
Other 24 VDC Power Supply
Example: PSP24-60S

Current Consumption (mA)		
Part Number	Power Budget 24 VDC (logic side)	External 24 VDC (field side)
Input Modules		
CO-08ND3	30	0
CO-08ND3-1	30	0
CO-16ND3	40	0
CO-08NE3	30	0
CO-16NE3	40	0
CO-08NA	30	0
Output Modules		
CO-08TD1	50	15
CO-08TD2	50	0
CO-16TD1	80	100
CO-16TD2	80	0
CO-08TA	80	0
CO-04TRS	100	0
CO-08TR	100	0
C-more Micro-Graphic Panel (Monochrome models only)		
All p/n	90	0

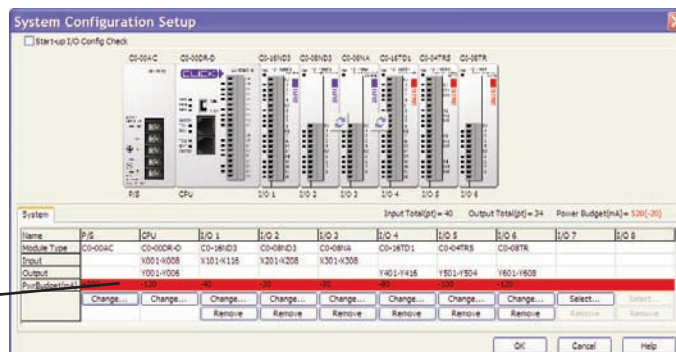
Power Budgeting Example

Current Consumption (mA) Example		
Part Number	Power Budget 24 VDC (logic side)	External 24 VDC (field side)
CO-00DD1-D	120	60
CO-16ND3	40	0
CO-16TD1	80	100
C-more Micro	90	0
Total:	330	160*

* Plus calculated load of connected I/O devices.



Only monochrome models can be powered from port 1 or 2.



Choosing the I/O Type

Three types of CPU modules are available:

- Basic CPUs with discrete-only inputs and outputs.
- Standard CPUs with discrete-only inputs and outputs, plus an extra communications port and battery backup.
- Analog CPUs with both discrete and analog inputs and outputs, plus an extra communications port and battery backup.

All CLICK CPU modules offer the same performance, use the same instruction set, and support all optional I/O modules.

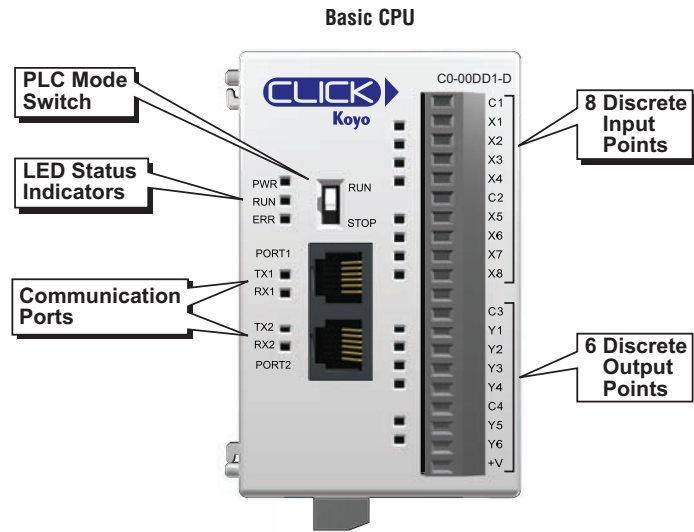
Basic and Standard CPU Modules

The Basic and Standard CLICK CPU modules are available with different combinations of built-in I/O types (i.e. DC input/DC output, DC input/relay output, and AC input/relay output). With the 14 built-in I/O points (8 inputs/6 outputs), the CPU can be used as a ready-to-go PLC control system without any additional I/O modules. The CPU module just needs 24 VDC, but it can be expanded in the future if the need arises.

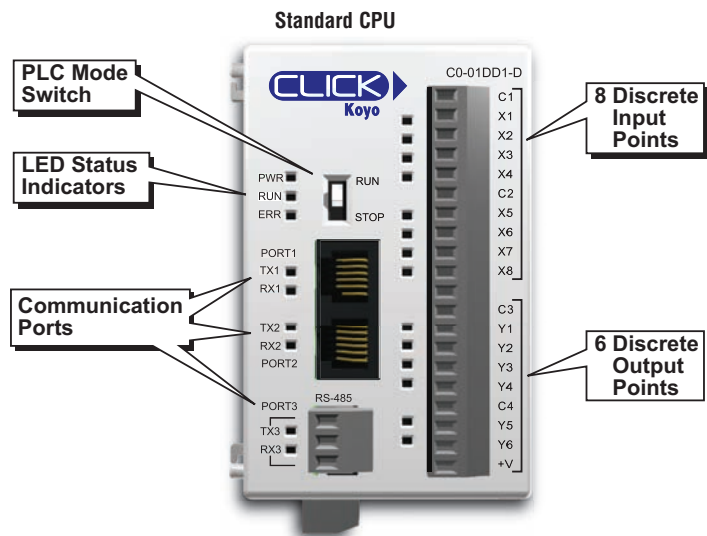
The tables list the part numbers showing the various I/O type combinations.

Standard CPU Modules Only

Standard CPU modules also have an RS-485 port for Modbus and ASCII communications, and the battery backup feature which will retain the data in SRAM for 5 years (battery sold separately; part no. D2-BAT-1).



Basic CLICK CPUs			
Part Number	Discrete Input Type	Discrete Output Type	External Power
<i>C0-00DD1-D</i>	8 DC (sink/source)	6 DC (sink)	24V DC (required for all CPUs)
<i>C0-00DD2-D</i>		6 DC (source)	
<i>C0-00DR-D</i>		6 Relay	
<i>C0-00AR-D</i>	8 AC		



Standard CLICK CPUs			
Part Number	Discrete Input Type	Discrete Output Type	External Power
<i>C0-01DD1-D</i>	8 DC (sink/source)	6 DC (sink)	24V DC (required for all CPUs)
<i>C0-01DD2-D</i>		6 DC (source)	
<i>C0-01DR-D</i>		6 Relay	
<i>C0-01AR-D</i>	8 AC		

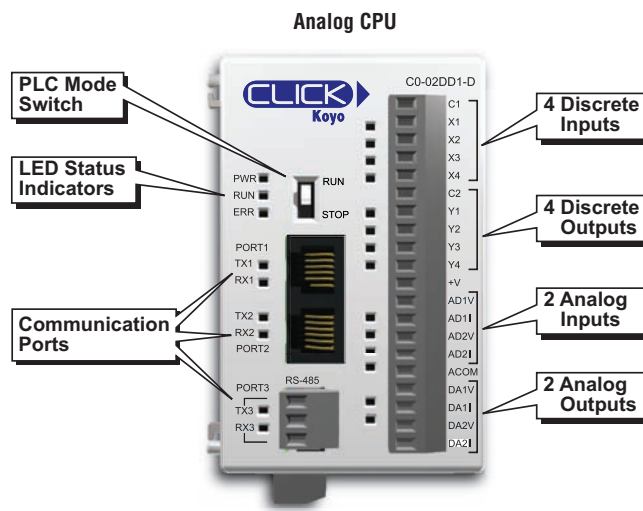
Choosing the I/O Type

Analog CPU Modules

The Analog CLICK CPU modules are available with different combinations of DC in, DC sinking, sourcing or relay out, and analog in and out.

They also have an RS-485 port for Modbus and ASCII communications, and the battery backup feature which will retain the data in SRAM for 5 years (battery sold separately; part no. D2-BAT-1).

The table lists the part numbers showing the various I/O type combinations.



Analog CLICK CPUs					
Part Number	Discrete Input Types	Discrete Output Types	Analog Input Types	Analog Output Types	External Power
CO-02DD1-D	4 DC (sink/source)	4 DC (sink)	2 channel; voltage (0-5 VDC) / current (4-20 mA); selectable separately per channel	2 channel; voltage (0-5 VDC) / current (4-20 mA); selectable separately per channel	24 VDC (required for all CPUs)
CO-02DD2-D		4 DC (source)			
CO-02DR-D		4 relay			

Discrete I/O Modules

A variety of I/O modules are available for the CLICK PLC system. Up to 8 I/O modules can be connected to a CLICK CPU module to expand the system I/O count and meet the needs of a specific application. Complete I/O module specifications and wiring diagrams can be found later in this section.

Input Modules

Discrete Input I/O Modules					
Part Number	I/O Type	I/O Number	I/O Commons	Sink or Source	Voltage Ratings
CO-08ND3	DC	8	2	Sink or Source	12-24 VDC
CO-08ND3-1	DC	8	2	Sink or Source	3.3-5 VDC
CO-16ND3	DC	16	4	Sink or Source	24 VDC
CO-08NE3	AC/DC	8	2	Sink or Source	24 VAC/VDC
CO-16NE3	AC/DC	16	4	Sink or Source	24 VAC/VDC
CO-08NA	AC	8	2	N/A	100-120 VAC



CO-08ND3



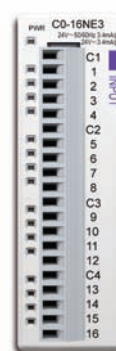
CO-08ND3-1



CO-16ND3



CO-08NE3



CO-16NE3



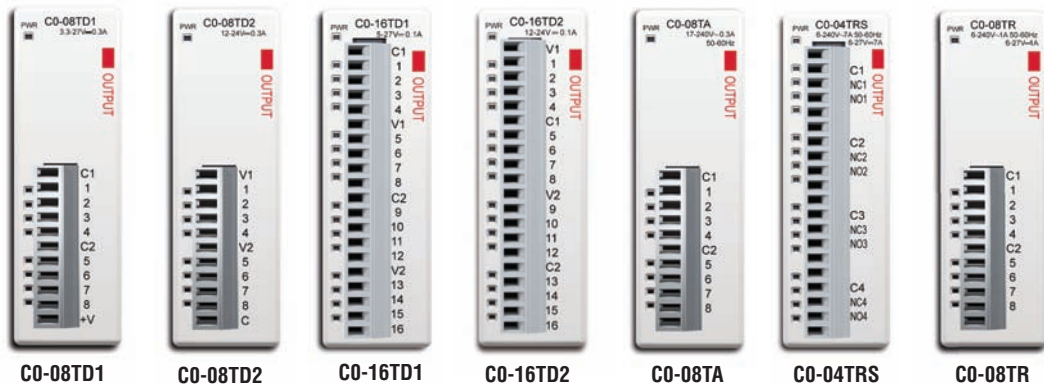
CO-08NA

Choosing the I/O Type / Specifications

Discrete I/O Modules (continued)

Output Modules

Discrete Output I/O Modules					
Part Number	I/O Type	I/O Number	I/O Commons	Sink or Source	Voltage/Current Ratings
CO-08TD1	DC	8	2	Sink	3.3-27 VDC, 0.3 A
CO-08TD2	DC	8	1	Source	12-24 VDC, 0.3 A
CO-16TD1	DC	16	2	Sink	5-27 VDC, 0.1 A
CO-16TD2	DC	16	2	Source	12-24 VDC, 0.1 A
CO-08TA	AC	8	2	N/A	17-240 VAC, 0.3 A
CO-04TRS	Relay	4	4	N/A	6-27 VDC, 7 A 6-240 VAC, 7 A
CO-08TR	Relay	8	2	N/A	6-27 VDC, 1 A 6-240 VAC, 1 A



General Specifications For All CLICK PLC Products

These general specifications apply to all CLICK CPUs, optional I/O modules, and optional power supply products. Please refer to the appropriate I/O temperature derating charts under both the CPU and I/O module specifications to determine best operating conditions based on the ambient temperature of your particular application.

General Specifications	
Power Input Voltage Range	20-28 VDC
Maximum Power Consumption	5 W (No 5 V use from communication port)
Maximum Inrush Current	30 A (less than 1ms)
Acceptable External Power Drop	Max 10 ms
Operating Temperature	32°F to 131°F (0°C to 55°C), IEC 60068-2-14 (Test Nb, Thermal Shock)
Storage Temperature	-4°F to 158°F (-20°C to 70°C) IEC 60068-2-1 (Test Ab, Cold) IEC 60068-2-2 (Test Bb, Dry Heat) IEC 60068-2-14 (Test Na, Thermal Shock)
Ambient Humidity	30% to 95% relative humidity (non-condensing)
Environmental Air	No corrosive gases. Environmental pollution level is 2 (UL840)
Vibration	MIL STD 810C, Method 514.2, EC60068-2-6 JIS C60068-2-6 (Sine wave vibration test)
Shock	MIL STD 810C, Method 516.2, IEC60068-2-27, JIS C60068-2-27
Noise Immunity	Comply with NEMA ICS3-304, Impulse noise 1μs, 1000V EN61000-4-2 (ESD), EN61000-4-3 (RFI), EN61000-4-4 (FTB) EN61000-4-5 (Surge), EN61000-4-6 (Conducted) EN61000-4-8 (Power frequency magnetic field immunity) RFI: No interference measured at 150 and 450 MHz (5w/15cm)
Emissions	EN55011:1998 Class A
Agency Approvals	UL508 (File No. E157382, E316037); CE (EN61131-2)
Other	RoHS

CLICK Specifications

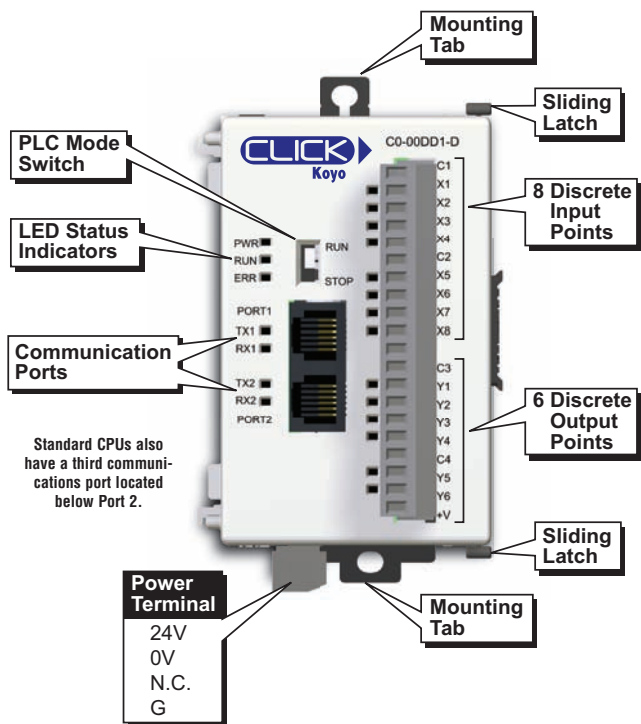
CPU Module Specifications

CPU Module Specifications			
	Basic CPU	Standard CPU	Analog CPU
Control Method	Stored Program/Cyclic execution method	Stored Program/Cyclic execution method	Stored Program/Cyclic execution method
I/O Numbering System	Fixed in Decimal	Fixed in Decimal	Fixed in Decimal
Ladder Memory (steps)	8000	8000	8000
Total Data Memory (words)	8000	8000	8000
Contact Execution (boolean)	< 0.6us	< 0.6us	< 0.6us
Typical Scan (1k boolean)	1-2 ms	1-2 ms	1-2 ms
RLL Ladder Style Programming	Yes	Yes	Yes
Run Time Edits	No	No	No
Scan	Variable / fixed	Variable / fixed	Variable / fixed
CLICK Programming Software for Windows	Yes	Yes	Yes
Built-in Communication Ports	Yes (two RS-232 ports)	Yes (two RS-232 ports and one RS-485 port)	Yes (two RS-232 ports and one RS-485 port)
FLASH Memory	Standard on CPU	Standard on CPU	Standard on CPU
Built-in Discrete I/O points	8 inputs, 6 outputs	8 inputs, 6 outputs	4 inputs, 4 outputs
Built-in Analog I/O Channels	No	No	2 inputs, 2 outputs
Number of Instructions Available	21	21	21
Control Relays	2000	2000	2000
System Control Relays	1000	1000	1000
Timers	500	500	500
Counters	250	250	250
Interrupt	Yes (external: 8 / timed: 4)	Yes (external: 8 / timed: 4)	Yes (external: 4 / timed: 4)
Subroutines	Yes	Yes	Yes
For/Next Loops	Yes	Yes	Yes
Math (Integer and Hex)	Yes	Yes	Yes
Drum Sequencer Instruction	Yes	Yes	Yes
Internal Diagnostics	Yes	Yes	Yes
Password Security	Yes	Yes	Yes
System Error Log	Yes	Yes	Yes
User Error Log	No	No	No
Memory Backup	Super Capacitor	Super Capacitor + Battery	Super Capacitor + Battery
Battery Backup	No	Yes (battery sold separately; part # D2-BAT-1)	Yes (battery sold separately; part # D2-BAT-1)
Calendar/Clock	No	Yes	Yes
I/O Terminal Block Replacement	ADC p/n C0-16TB	ADC p/n C0-16TB	ADC p/n C0-16TB
Communication Port & Terminal Block Replacement	N/A	ADC p/n C0-03TB	ADC p/n C0-03TB
24 VDC Power Terminal Block Replacement	ADC p/n C0-4TB	ADC p/n C0-4TB	ADC p/n C0-4TB

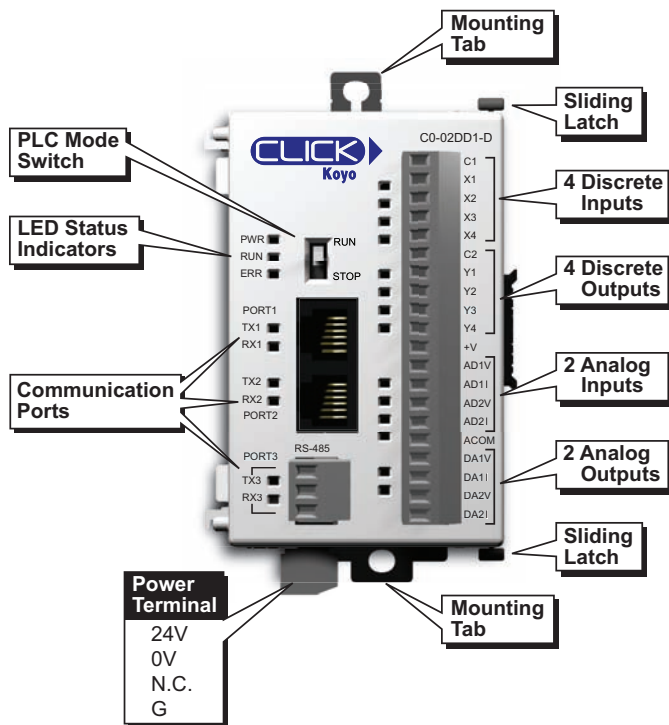
CLICK Specifications

CPU Features

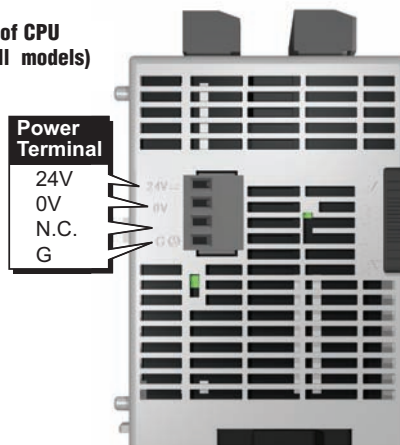
Basic and Standard CPUs



Analog CPUs

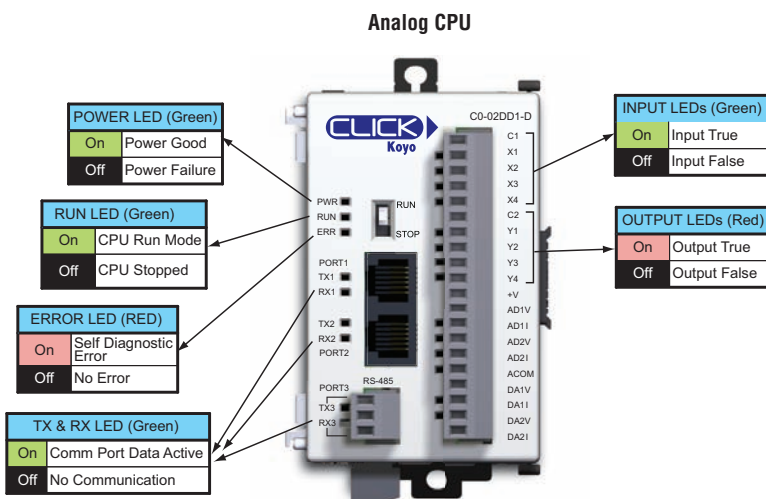
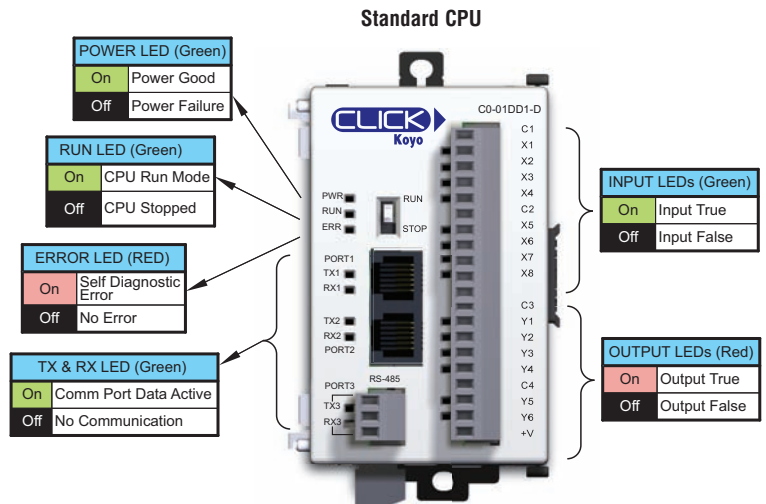
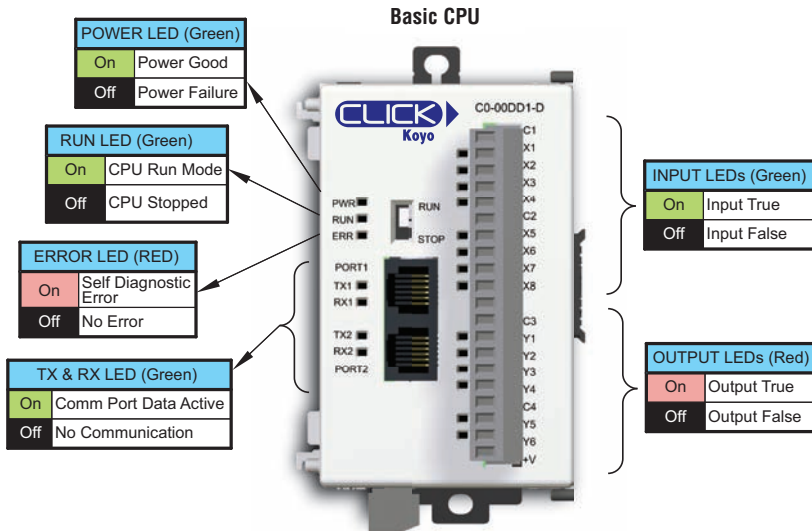


Bottom of CPU
(Same on all models)



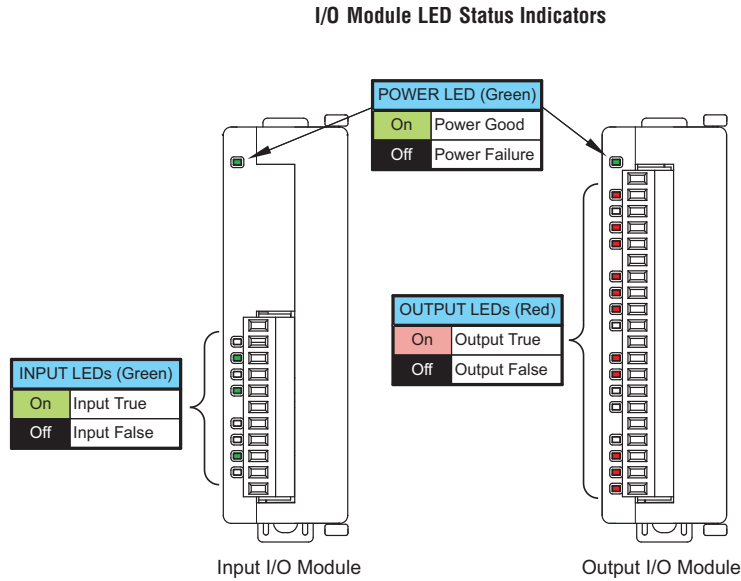
CLICK Specifications

CPU LED Status Indicators



CLICK Specifications

I/O Module LED Status Indicators



I/O Terminal Block Specifications for CPUs and I/O Modules



11-Pin Terminal Block,
CO-8TB

11-pin Terminal Block Specifications	
Connector Type	Pluggable Terminal Block
Number of Pins	11 pt
Pitch	3.50 mm
Wire Range	28-16 AWG
Wire Strip Length	7 mm
Screw Size	M2.0
Screw Torque	2.0 to 2.2 lb-inch
ADC Part Number	CO-8TB



20-Pin Terminal Block,
CO-16TB

20-pin Terminal Block Specifications	
Connector Type	Pluggable Terminal Block
Number of Pins	20 pt
Pitch	3.50 mm
Wire Range	28-16 AWG
Wire Strip Length	7 mm
Screw Size	M2.0
Screw Torque	2.0 to 2.2 lb-inch
ADC Part Number	CO-16TB

Wiring Solutions using the ZIPLink Wiring System

ZIPLinks eliminate the normally tedious process of wiring between devices by utilizing prewired cables and DIN rail mount connector modules. It's as simple as plugging in a cable connector at either end or terminating wires at only one end. Prewired cables keep installation clean and efficient, using half the space at a fraction of the cost of standard terminal blocks. There are several wiring solutions available when using the ZIPLink System ranging from PLC I/O-to-ZIPLink Connector Modules that are ready for field termination, options for connecting to third party devices, GS, DuraPulse and SureServo Drives, and specialty relay, transorb and communications modules. Pre-printed I/O-specific adhesive label strips for quick marking of ZIPLink modules are provided with ZIPLink cables. See the following solutions to help determine the best ZIPLink system for your application.

Solution 1: DirectLOGIC, CLICK and Productivity3000 I/O Modules to ZIPLink Connector Modules

When looking for quick and easy I/O-to-field termination, a ZIPLink connector module used in conjunction with a prewired ZIPLink cable, consisting of an I/O terminal block at one end and a multi-pin connector at the other end, is the best solution.



Using the PLC I/O Modules to ZIPLink Connector Modules selector tables located in this section,

1. Locate your I/O module/PLC.
2. Select a ZIPLink Module.
3. Select a corresponding ZIPLink Cable.

Solution 2: DirectLOGIC, CLICK and Productivity3000 I/O Modules to 3rd Party Devices

When wanting to connect I/O to another device within close proximity of the I/O modules, no extra terminal blocks are necessary when using the ZIPLink Pigtail Cables. ZIPLink Pigtail Cables are prewired to an I/O terminal block with color-coded pigtail with soldered-tip wires on the other end.



Using the I/O Modules to 3rd Party Devices selector tables located in this section,

1. Locate your PLC I/O module.
2. Select a ZIPLink Pigtail Cable that is compatible with your 3rd party device.

Solution 3: GS Series and DuraPulse Drives Communication Cables

Need to communicate via Modbus RTU to a drive or a network of drives?

ZIPLink cables are available in a wide range of configurations for connecting to PLCs and SureServo, SureStep, Stellar Soft Starter and AC drives. Add a ZIPLink communications module to quickly and easily set up a multi-device network.

Using the Drives Communication selector tables located in this section,

1. Locate your Drive and type of communications.
2. Select a ZIPLink cable and other associated hardware.



Solution 4: Serial Communications Cables

ZIPLink offers communications cables for use with *Direct*LOGIC, CLICK, and Productivity3000 CPUs, that can also be used with other communications devices. Connections include a 6-pin RJ12 or 9-pin, 15-pin and 25-pin D-sub connectors which can be used in conjunction with the RJ12 or D-Sub Feedthrough modules.

Using the **Serial Communications Cables** selector table located in this section,

1. Locate your connector type
2. Select a cable.



Solution 5: Specialty ZIPLink Modules

For additional application solutions, ZIPLink modules are available in a variety of configurations including stand-alone relays, 24VDC and 120VAC transorb modules, D-sub and RJ12 feedthrough modules, communication port adapter and distribution modules, and *SureServo* 50-pin I/O interface connection.

Using the **ZIPLink Specialty Modules** selector table located in this section,

1. Locate the type of application.
2. Select a ZIPLink module.



Solution 6: ZIPLink Connector Modules to 3rd Party Devices

If you need a way to connect your device to terminal blocks without all that wiring time, then our pigtail cables with color-coded soldered-tip wires are a good solution. Used in conjunction with any compatible ZIPLink Connector Modules, a pigtail cable keeps wiring clean and easy and reduces troubleshooting time.

Using the **Universal Connector Modules and Pigtail Cables** table located in this section,

1. Select module type.
2. Select the number of pins.
3. Select cable.



PLC I/O Modules to ZIPLink Connector Modules - CLICK

CLICK PLC Input Module ZIPLink Selector				
PLC		ZIPLink		
Input Module	# of Terms	Component	Module Part No.	Cable Part No.
CO-08ND3	11	Feedthrough	ZL-RTB20	ZL-CO-CBL11*
CO-08ND3-1	11	Feedthrough	ZL-RTB20	ZL-CO-CBL11*
CO-08NE3	11	Feedthrough	ZL-RTB20	ZL-CO-CBL11*
CO-08NA	11	Feedthrough	ZL-RTB20	ZL-CO-CBL11*
CO-16ND3	20	Feedthrough	ZL-RTB20	ZL-CO-CBL20*
		Sensor	ZL-LTB16-24	ZL-CO-CBL20*
CO-16NE3	20	Feedthrough	ZL-RTB20	ZL-CO-CBL20*
		Sensor	ZL-LTB16-24	ZL-CO-CBL20*

CLICK PLC Output Module ZIPLink Selector				
PLC		ZIPLink		
Output Module	# of Terms	Component	Module Part No.	Cable Part No.
CO-08TD1	11	Feedthrough	ZL-RTB20	ZL-CO-CBL11*
CO-08TD2	11	Feedthrough	ZL-RTB20	ZL-CO-CBL11*
CO-08TR	11	Feedthrough	ZL-RTB20	ZL-CO-CBL11*
CO-08TA	11	Feedthrough	ZL-RTB20	ZL-CO-CBL11*
CO-16TD1	20	Feedthrough	ZL-RTB20	ZL-CO-CBL20*
		Fuse	ZL-RFU20 ²	ZL-CO-CBL20*
		Relay (sinking)	ZL-RRL16-24-1	ZL-CO-CBL20*
CO-16TD2	20	Feedthrough	ZL-RTB20	ZL-CO-CBL20*
		Fuse	ZL-RFU20 ²	ZL-CO-CBL20*
		Relay (sourcing)	ZL-RRL16-24-2	ZL-CO-CBL20*
CO-04TRS ¹	20	Feedthrough	ZL-RTB20	ZL-CO-CBL20*

CLICK PLC Combo In/Out Module ZIPLink Selector				
PLC		ZIPLink		
Combo Module	# of Terms	Component	Module Part No.	Cable Part No.
CO-00DD1-D	20	Feedthrough	ZL-RTB20	ZL-CO-CBL20*
CO-00DD2-D	20	Feedthrough	ZL-RTB20	ZL-CO-CBL20*
CO-00DR-D	20	Feedthrough	ZL-RTB20	ZL-CO-CBL20*
CO-00AR-D	20	Feedthrough	ZL-RTB20	ZL-CO-CBL20*
CO-01DD1-D	20	Feedthrough	ZL-RTB20	ZL-CO-CBL20*
CO-01DD2-D	20	Feedthrough	ZL-RTB20	ZL-CO-CBL20*
CO-01DR-D	20	Feedthrough	ZL-RTB20	ZL-CO-CBL20*
CO-01AR-D	20	Feedthrough	ZL-RTB20	ZL-CO-CBL20*

* Select the cable length by replacing the * with: Blank = 0.5m, -1 = 1.0m, or -2 = 2.0m.

¹ Note: The CO-04TRS relay output is derated not to exceed 2A per point max. when used with the ZIPLink wiring system.

² Note: Fuses (5 x 20 mm) are not included. See Edison Electronic Fuse section for (5 x 20 mm) fuse. S500 and GMA electronic circuit protection for fast-acting maximum protection. S506 and GMC electronic circuit protection for time-delay performance. Ideal for inductive circuits. To ensure proper operation, do not exceed the voltage and current rating of ZIPLink module. ZL-RFU20 = 2A per circuit; ZL-RFU40 = 400 mA per circuit.



NOTE: ZIPLINK CONNECTOR MODULES SPECIFICATIONS FOLLOW THE COMPATIBILITY MATRIX TABLES. ZIPLINK CABLES SPECIFICATIONS ARE AT THE END OF THIS ZIPLINK SECTION.

